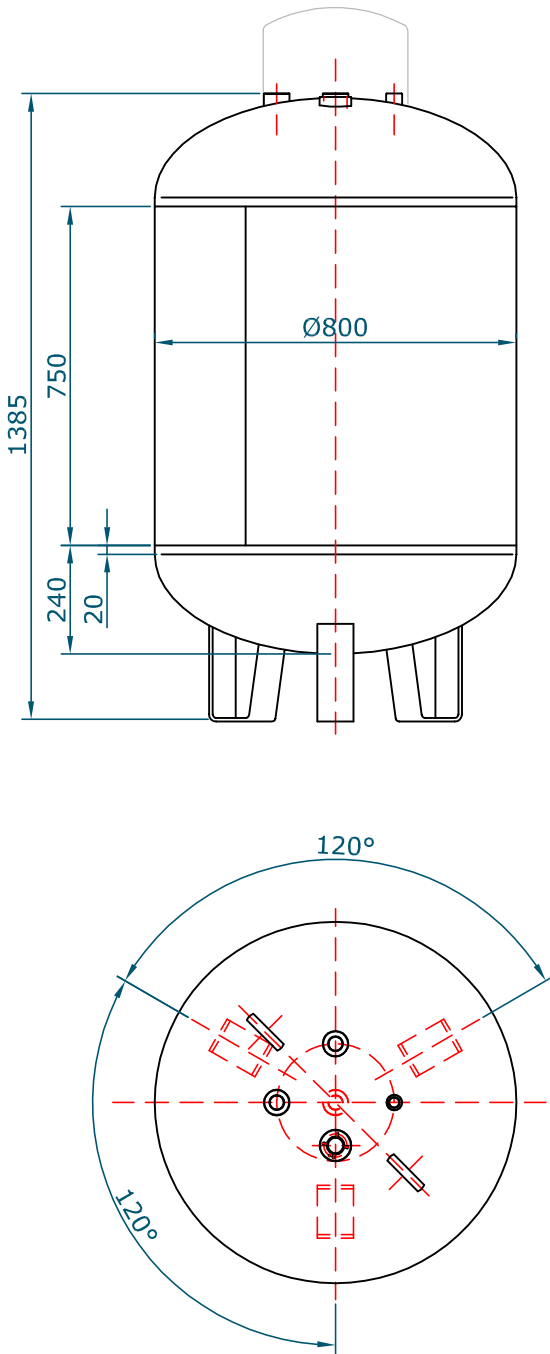


TANK FOR PROPANE - BUTANE (LPG), Volume 500 l  
Drawing № CG.17.65N/04.00.00



TECHNICAL DATA					
pos.	Parameter	measure	value	note	
1.	Category acc. 97/23 PED	-	IV		
2.	Module of eval.of conformity acc. PED	-	B+D		
3.	Working fluid	Name of fluid	-	propane-butane	
		Fluid group acc.PED	-	1	
		Density	kg/m <sup>3</sup>	~550	
		Corrosivity		low	
		Explosiveness	-	yes	
	Toxicity	-	no		
4.	Working pressure	bar	17,65		
5.	Test pressure	strength	bar	25,20	
		hermetic	bar	17,65	
6.	Working temperature	°C	-20÷+50		
7.	Test medium	-	water		
8.	Joint efficiency	-	1		
9.	Dimensions	Diameter	mm	800	
		Length	mm	1385	
10.	Minimum thickness	Shell	mm	5,0	
		End	mm	5,0	
11.	NDT (seams)		PT/UT %	MT/PT %	VT %
		longitudial seams	100	-	100
		circumferential	25	-	100
		cross points	100	-	100
		nozzle seams	-	100	100

NOZZLE SHEDULE					
pos.	spec.	description	DN	PN (MPa)	note
1	A	Safety valve	1 1/4"	4,0	NPT
2	B	Level gauge	Ø34	4,0	
3	C	Gas phase/Multiserv.	3/4"	4,0	NPT
4	D	Liquid phase filling	1 1/4"	4,0	NPT
5	E	Liquid phase/ drain	1 1/4"	4,0	NPT