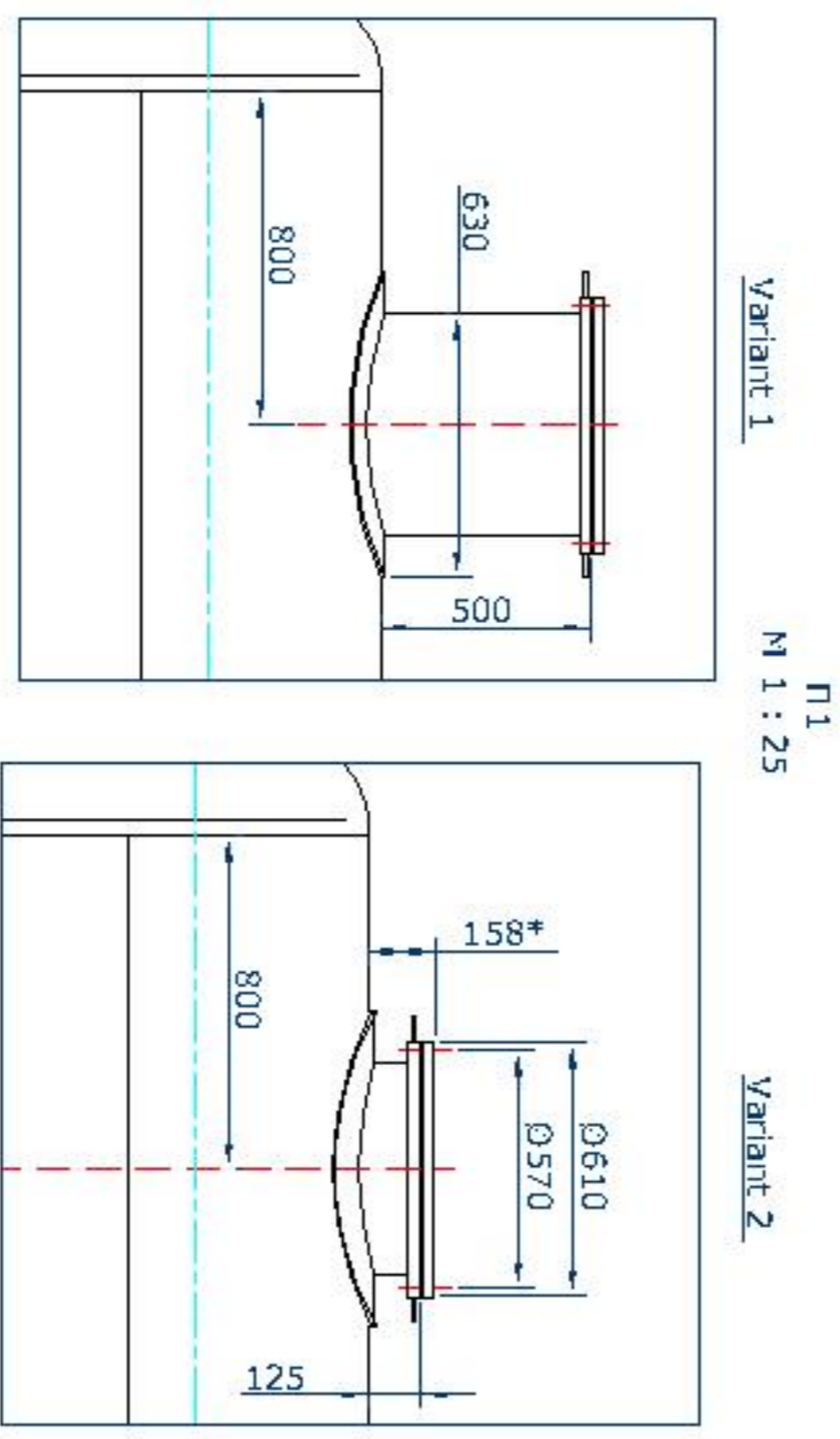
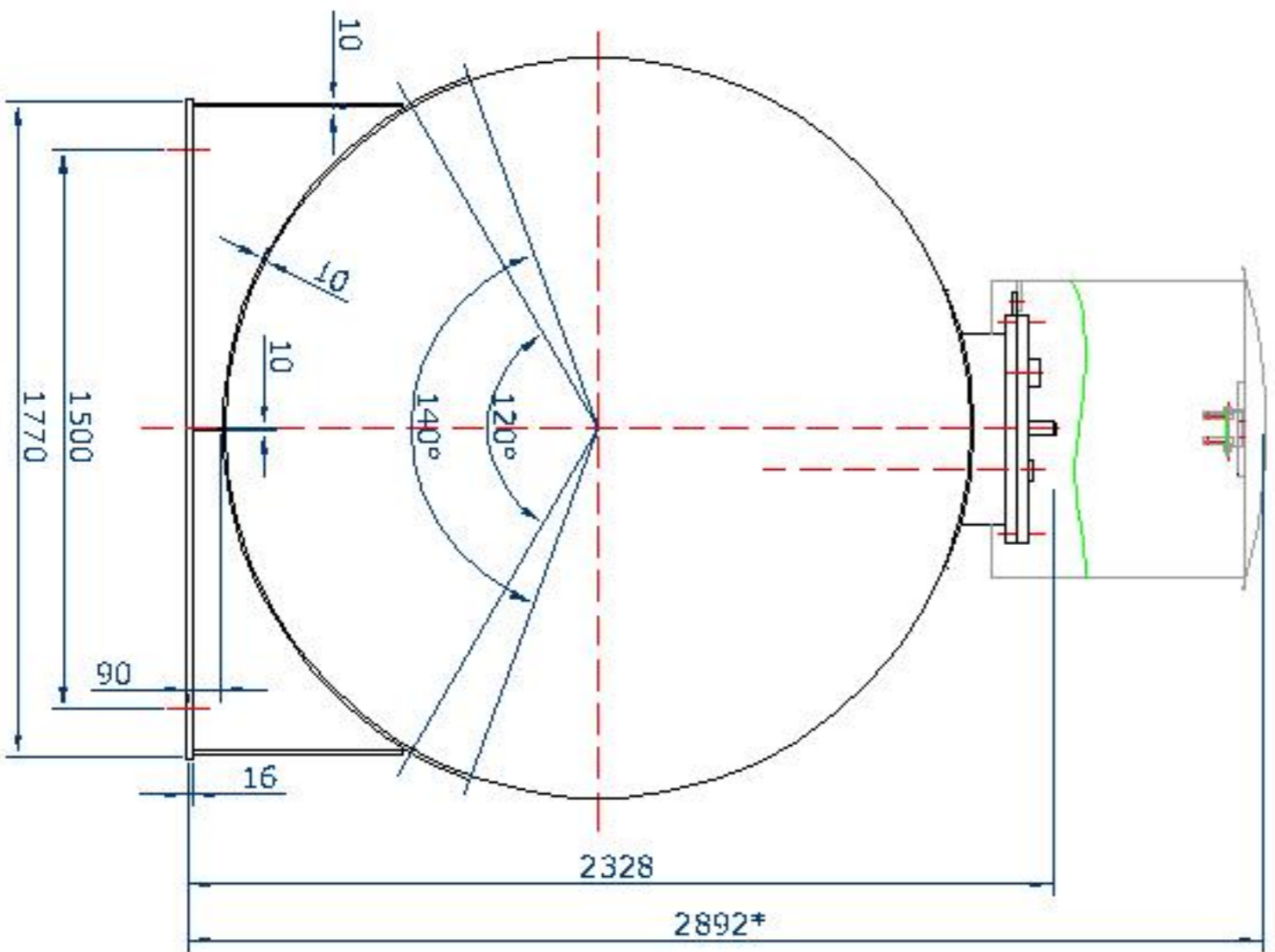
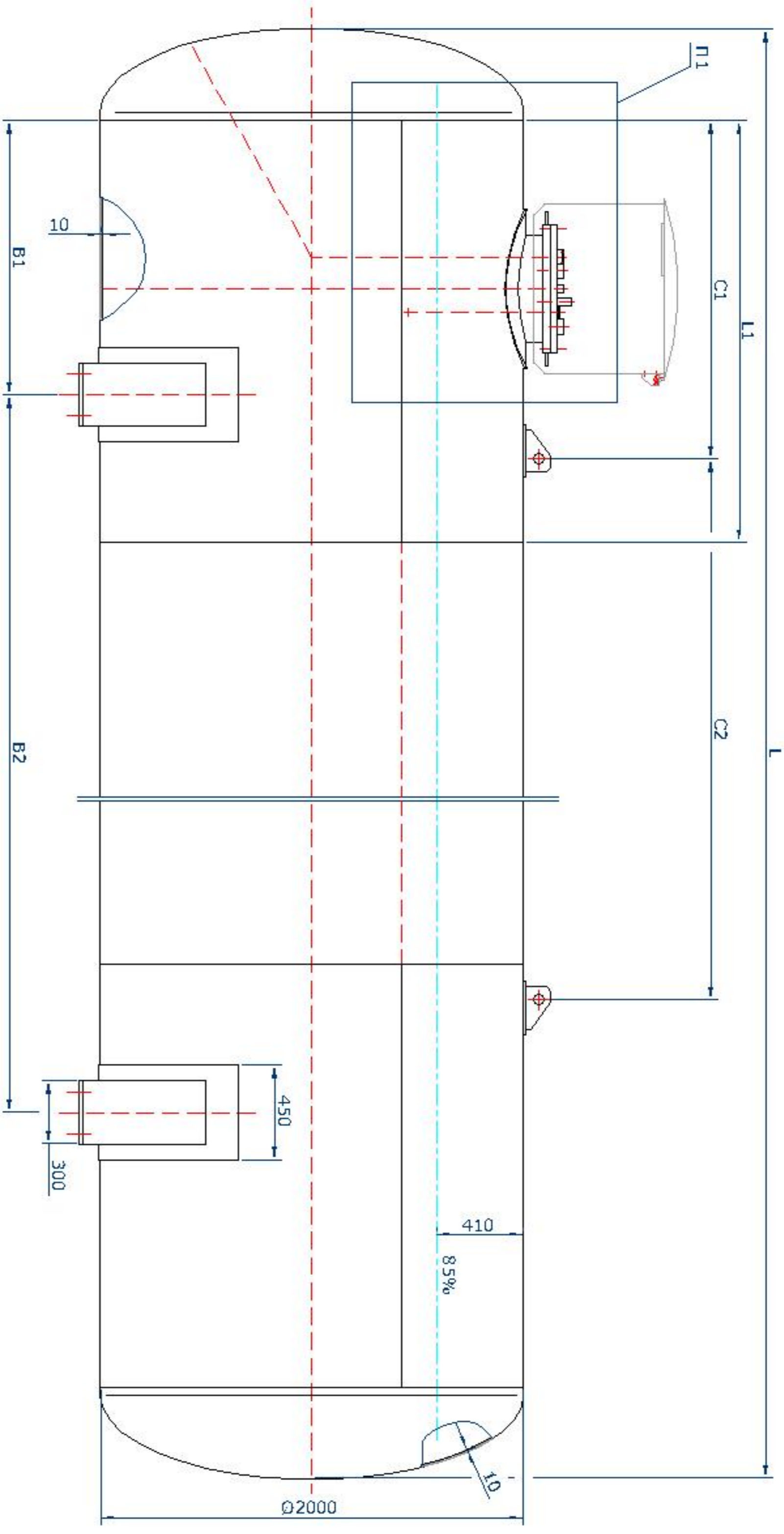


**TANK FOR PROPANE-BUTANE,  
VOLUME 10, 15, 18, 20, 25 and 30 m<sup>3</sup>**



V.C. - "M" (m <sup>3</sup> )	Dimensions (mm)					B1	B2	C1	C2	mass (kg)
	L	L1	L2	L3	L4					
12	3870	2000	1000					250	2000	3000
15	4870	2000	2000			825	2350	250	3340	3490
18	5870	2000	1000	2000		1435	3000	1430	1940	3980
20	6870	2000	2000	2000		1300	3400	1605	2560	4470
25	8370	2000	2000	1500	2000	1575	4350	2300	2650	5205
30	9870	2000	1500	2000	1500	2000	5850	2705	3360	5945

Coating of tank's according CG.1.07.05.01-3 "Rules of coating" as follow:

- a. For aboveground tanks - polyurethane coating in white color, thickness 120 µm (thickness of dry coat 70 µm);
- b. For underground tanks - epoxy coating in green color, thickness 500 µm, which guarantee hardness of coat by ISO test of 12 HV;
- c. For semi underground tanks - a combination of methods in "a" and "b";